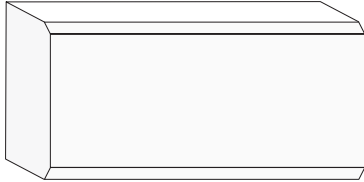


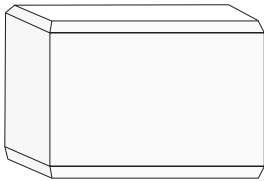
BRADSTONE

Chamfer Walling Construction Information and Installation Guide

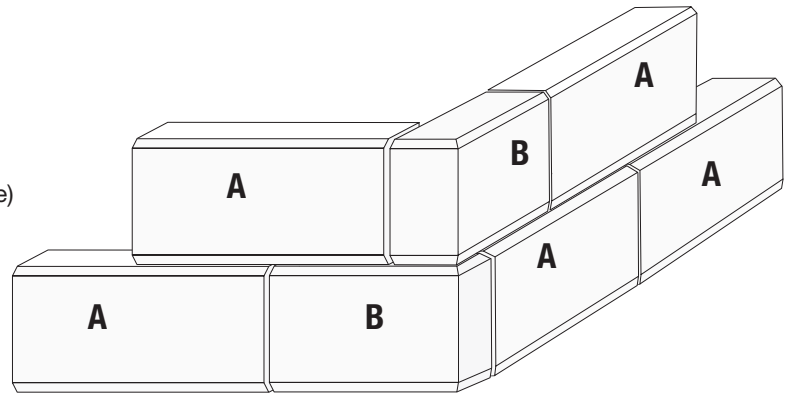
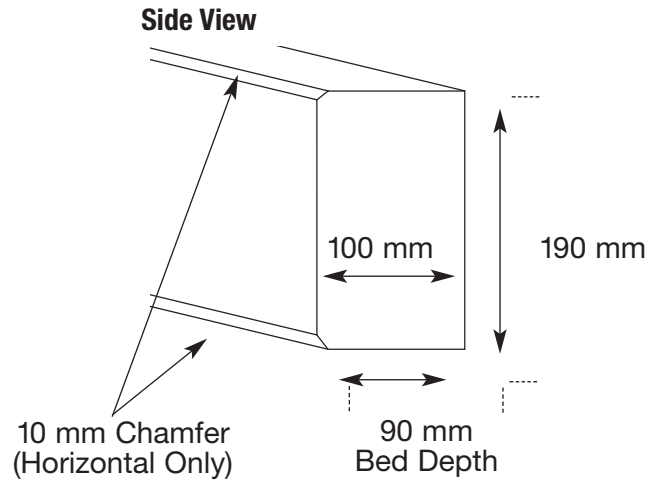
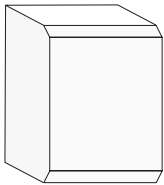
- A. Stringer Stone** .90 sq. ft. per piece
390 mm x 190 mm (actual size)
400 mm x 200 mm (nominal size)



- B. Corner Stone** .70 sq. ft. per piece
295 mm x 190 mm (actual size)
305 mm x 200 mm (nominal size)



- C. Filler Stone** .20 sq. ft. per piece
100 mm x 190 mm (actual size)
110 mm x 200 mm (nominal size)



Corner Stone "B" sizing allows for Stringer Stones "A" to be laid in a running bond pattern.

The Bradstone Quality Assurance Guarantee for Bradstone Walling Products is based on the strength, structural integrity and durability, and against any defects in the material and or workmanship in the production.

The Quality Assurance Guarantee assures that the Bradstone Products will:

- Retain its structural strength, integrity, and durability
- Protect the home through climactic weather conditions
- Retain its texture
- Is manufactured to industry standards and meets Specification Guidelines



Manufactured under licence by

WINTERGREEN LTD.

P.O. Box 1060, Stouffville, Ontario L4A 8A1

Tel. 416-798-7809 Fax 416-798-7819 • Toll Free 1-866-798-7809

E-mail info@bradstone.ca • www.bradstone.ca